

KBP3005 THRU KBP310

VOLTAGE RANGE

50 to 1000 Volts

CURRENT

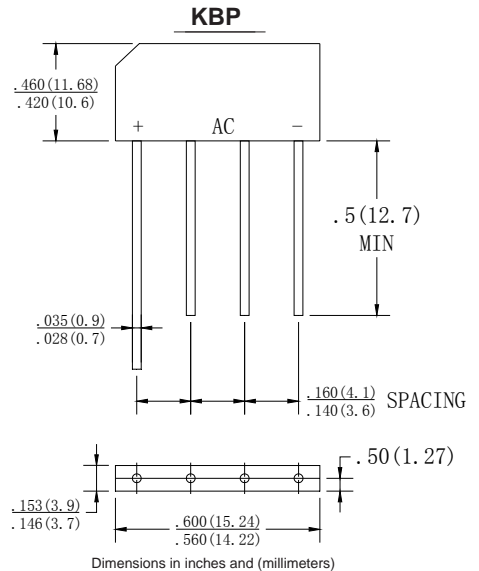
3.0 Ampere

FEATURES

- The plastic package carries Underwriters Laboratory
- Flammability Classification 94V-0
- Ideal for printed circuit boards
- Low reverse leakage
- High forward surge current capability
- High temperature soldering guaranteed:
260°C/10 seconds, 0.375" (9.5mm) lead length,
5 lbs. (2.3kg) tension

MECHANICAL DATA

- Case: Molded plastic body
- Terminals : Plated leads solderable per MIL-STD-750,
Method 2026
- Polarity : Polarity symbols marked on case
- Mounting Position : Any



MAXIMUM RATINGS AND ELECTRICAL CHARACTERISTICS

- Ratings at 25 °C ambient temperature unless otherwise specified.
- Single phase half-wave 60Hz, resistive or inductive load, for capacitive load current derate by 20%.

	SYMBOLS	KBP 3005	KBP 301	KBP 302	KBP 304	KBP 306	KBP 308	KBP 310	UNITS
Maximum repetitive peak reverse voltage	V_{RRM}	50	100	200	400	600	800	1000	VOLTS
Maximum RMS voltage	V_{RMS}	35	70	140	280	420	560	700	VOLTS
Maximum DC blocking voltage	V_{DC}	50	100	200	400	600	800	1000	VOLTS
Maximum average forward output rectified current at $T_A=50^\circ C$	$I_{(AV)}$	3.0							Amps
Peak forward surge current 8.3ms single half sine-wave superimposed on rated load (JEDEC Method)	I_{FSM}	80							Amps
Maximum instantaneous forward voltage drop per bridge element at 3.0A	V_F	1.1							Volts
Maximum DC reverse current at rated DC blocking voltage	I_R	$T_A=25^\circ C$							μA
		$T_A=125^\circ C$							mA
Typical Thermal Resistance (Note 1)	$R_{\theta JA}$	30							$^\circ C/W$
Operating junction temperature range	T_J	-55 to +150							$^\circ C$
storage temperature range	T_{STG}	-55 to +150							$^\circ C$

NOTES: 1. Unit mounted on 0.47 x 0.47 (12x12mm) copper pads.

KBP3005 THRU KBP310

VOLTAGE RANGE
CURRENT

50 to 1000 Volts
3.0 Ampere

FIG.1-MAXIMUM NONO-REPETITIVE FORWARD SURGE CURRENT PER BRIDGE ELEMELNT

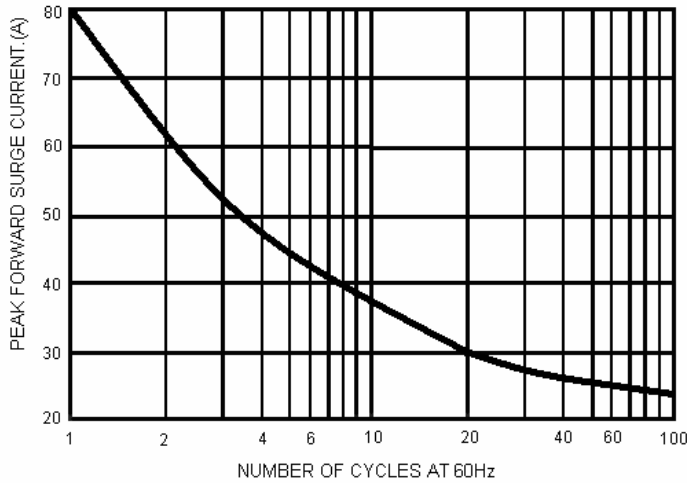


FIG.2-MAXIMUM FORWARD CURRENT DERATING CURVE

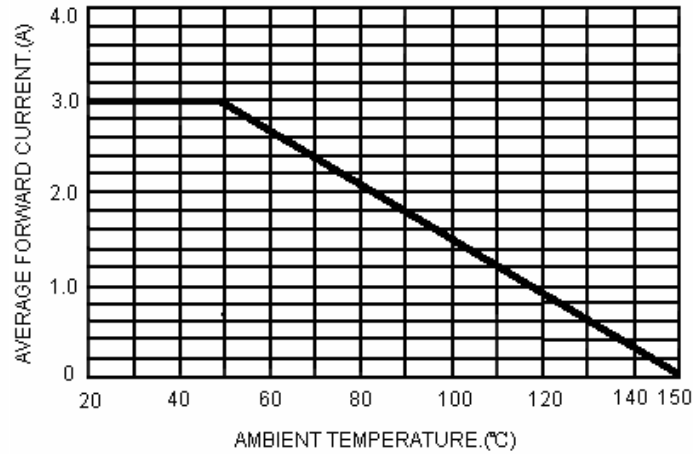


FIG.3-TYPICAL INSTANTANEOUS FORWARD CHARACTERISTICS PER BRIDGE ELEMENT

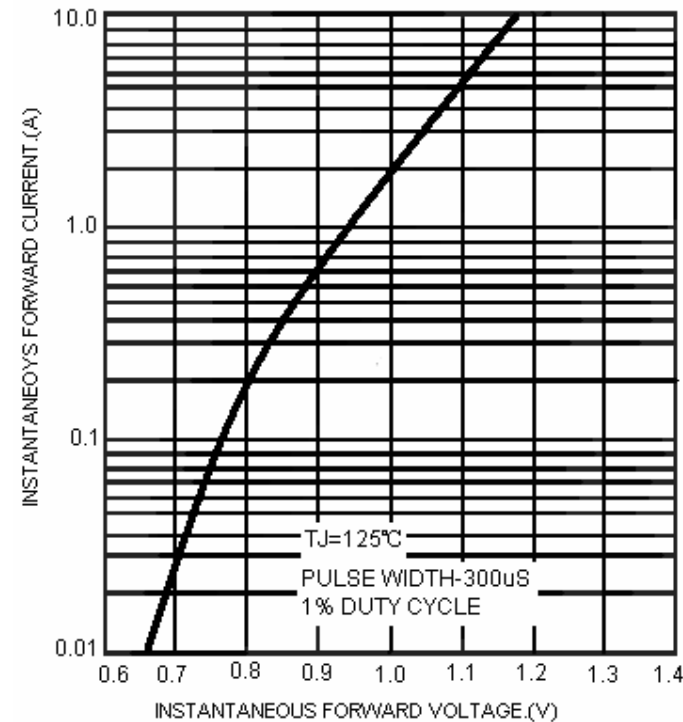


FIG.4-TYPICAL REVERSE CHARACTERISTICS PER BRIDGE ELEMENT

