

KBU6ATHRU KBU6M

VOLTAGE RANGE
CURRENT

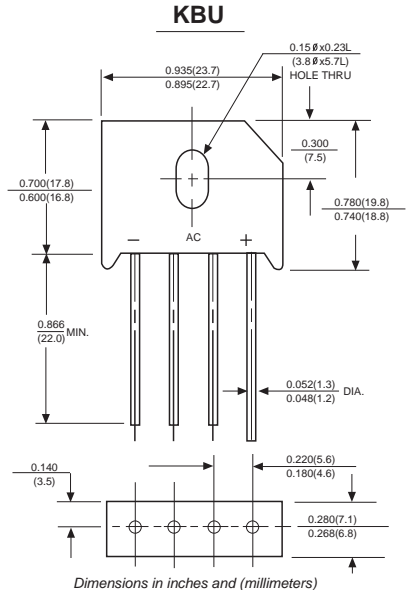
50 to 1000 Volts
6.0 Ampere

FEATURES

- The plastic package carries Underwriters Laboratory
- Flammability Classification 94V-0
- Ideal for printed circuit boards
- Low reverse leakage
- High forward surge current capability
- High temperature soldering guaranteed:
260°C/10 seconds, 0.375" (9.5mm) lead length,
5 lbs. (2.3kg) tension

MECHANICAL DATA

- Case: Molded plastic body
- Terminals : Plated leads solderable per MIL-STD-750, Method 2026
- Polarity : Polarity symbols marked on case
- Mounting :Thru hole for #6 serew,5in.-lbs. torque max.
- Weight:0.27 ounce, 7.59 grams



MAXIMUM RATINGS AND ELECTRICAL CHARACTERISTICS

- Ratings at 25°C ambient temperature unless otherwise specified.
- Single phase half-wave 60Hz, resistive or inductive load, for capacitive load current derate by 20%.

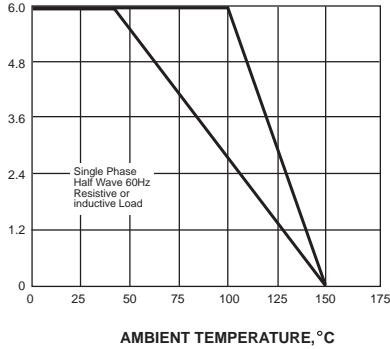
	SYMBOLS	KBU 6A	KBU 6B	KBU 6D	KBU 6G	KBU 6J	KBU 6K	KBU 6M	UNITS
Maximum repetitive peak reverse voltage	V_{RRM}	50	100	200	400	600	800	1000	VOLTS
Maximum RMS voltage	V_{RMS}	35	70	140	280	420	560	700	VOLTS
Maximum DC blocking voltage	V_{DC}	50	100	200	400	600	800	1000	VOLTS
Maximum average forward output rectified current at $T_A=100^\circ\text{C}$ (Note 2) at $T_A=40^\circ\text{C}$ (Note 2)	$I_{(AV)}$	6.0							Amps
Peak forward surge current 8.3ms single half sine-wave superimposed on rated load (JEDEC Method)	I_{FSM}	250.0							Amps
Rating for Fusing($t < 8.3\text{ms}$)	I^2t	260							A^2s
Maximum instantaneous forward voltage drop per bridge element at 6.0A	V_F	1.0							Volts
Maximum DC reverse current at rated DC blocking voltage $T_A=25^\circ\text{C}$ $T_A=100^\circ\text{C}$	I_R	10							μA
Typical Junction Capacitance (Note 1)	C_J	200							pF
Typical Thermal Resistance (Note 2)	$R_{\theta JA}$	4.7							$^\circ\text{C}/\text{W}$
Operating junction temperature range	T_J	-65 to +150							$^\circ\text{C}$
storage temperature range	T_{STG}	-65 to +150							$^\circ\text{C}$

NOTES:

1. Measured at 1.0 MHz and applied reverse voltage of 4.0 Volts.
2. Unit mounted on 2.6" x 1.4" x 0.06" thick (6.3x3.5x0.15cm) Al. plate.
3. Unit mounted on P.C. board with 0.5" x 0.5" (12x12mm) copper pads.

AVERAGE FORWARD RECTIFIED CURRENT, AMPERES

FIG. 1- FORWARD CURRENT DERATING CURVE



PEAK FORWARD SURGE CURRENT, AMPERES

FIG. 2- MAXIMUM NON-REPETITIVE PEAK FORWARD SURGE CURRENT

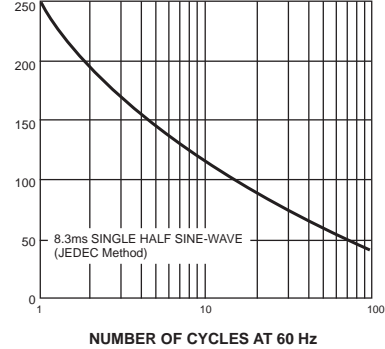


FIG. 3- TYPICAL INSTANTANEOUS FORWARD CHARACTERISTICS

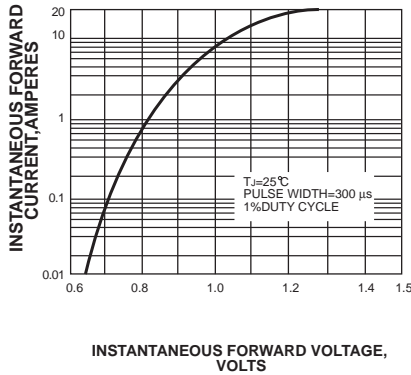


FIG. 4- TYPICAL REVERSE CHARACTERISTICS

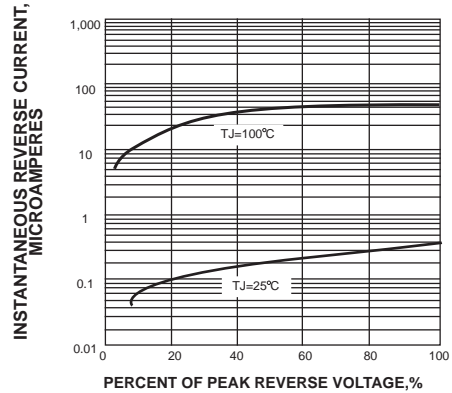
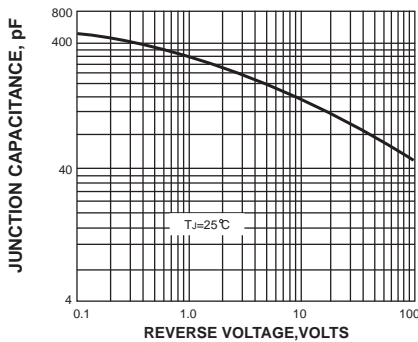


FIG. 5- TYPICAL JUNCTION CAPACITANCE



TRANSIENT THERMAL IMPEDANCE, °C/W

FIG. 6- TYPICAL TRANSIENT THERMAL IMPEDANCE

